



AT-AM2-1844-18XC

Active Multiplier x2, 18-44GHz Pout=+18dBm

Active X2, 18-44GHz Frequency Doubler

2021-5-30



Description:

AT-AM2-1844-20XC is a broadband frequency doubler. The doubler has an input frequency of 9-22 GHz with a typical output +18dBm from 18-44GHz.

The integrated output buffers deliver high output power at a low drive level. The doubler also has a typical harmonic suppression. The input port is SMA female, and the output is 2.92mm Male in default and 2.4mm Male is available according to request..

More information, please visit www.atmicrowave.com

Feature

- ✓ Frequency: 18-44GHz
- ✓ Pout: +18dBm typical
- ✓ Input: 9-22GHz
- ✓ Low Harmonics

Application

- ✓ 5G Communication
- ✓ Test Equipment
- ✓ ROF (RF Over Fiber)
- ✓ Radar System

Electronical Specifications:

Parameter	Min	Typical	Max
Input Frequency		9-22GHz	
Input Power	+2	+3dBm	+6
Multiplier Factor		X2	
Output Frequency		18-44GHz	
Output Power	+17	18dBm	
1 st Harmonic Suppression	-10dBc	-25dBc	
3 rd Harmonic Suppression	-20dBc	-25dBc	
4 th Harmonic Suppression	-10dBc	-15dBc	
Drain Voltage		+5V	+8V
Current		250mA	
Spec Temp		+25C	





AT-AM2-1844-18XC

Active Multiplier x2, 18-44Hz Pout=+18dBm

Mechanical Information

Item	Description
Input Port	SMA Female
Output Port	2.92mm Male
Case Material	Copper
Finish	Gold Plated
Weight (Without Heatsink)	80g
Size:	30x30x14mm

Absolute Maximum Ratings Table

Parameter	Value
Drain Supply	+13V
RF Input Power	+15dBm
Operating Temperature	-40 to +85C
Storage Temperature	-55 to +125C

Notes:

- ✓ Datasheet may be changed according to update of MMIC, Raw materials , process, and so on.
- ✓ This data is only for reference, not for guaranteed specifications.
- ✓ Please contact AT Microwave team to make sure you have the most current data.
- ✓ Always pay attention to the temperature of the case, heatsink and fan are required if case temperature exceeds over 50C.

Part Number Selection Guide

Item	Description
PN	Stand Module with DC Power Supply
PN-LCBT	L ow Cost, C ompact B ench- T op, +220V Supply with AC/DC Adapter



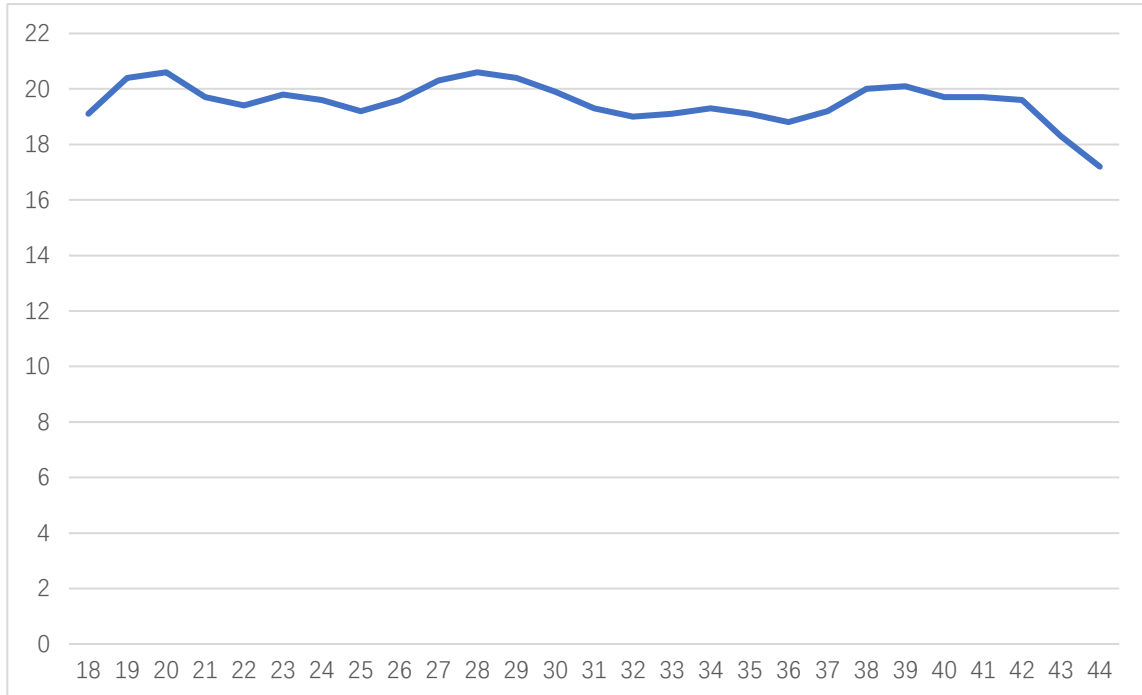


AT-AM2-1844-18XC

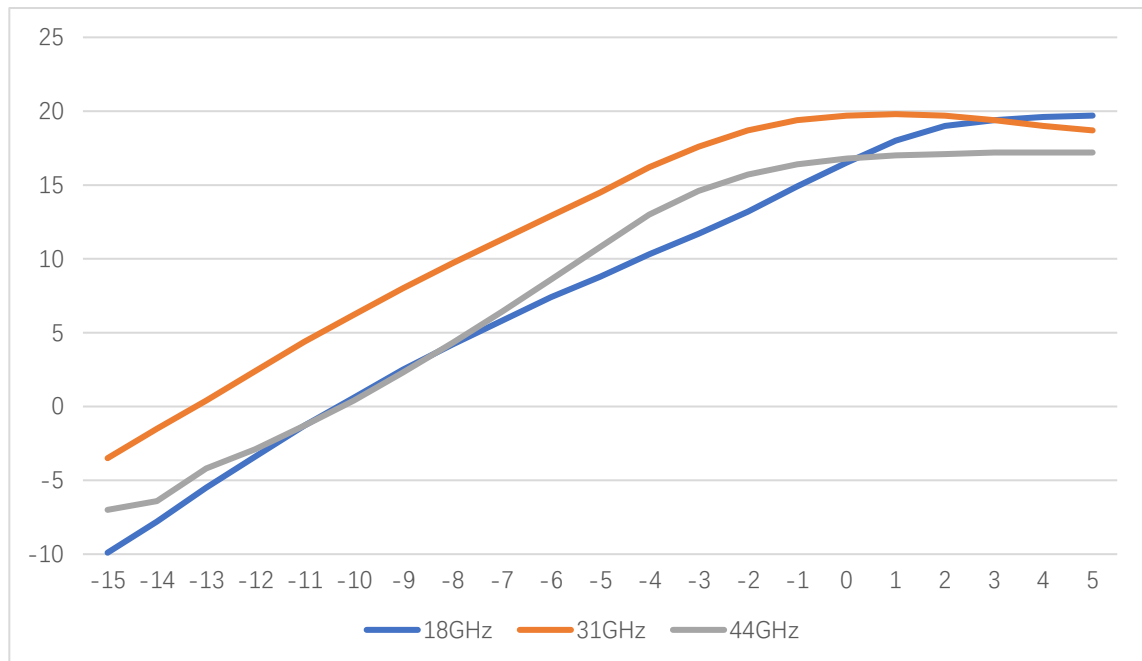
Active Multiplier x2, 18-44Hz Pout=+18dBm

Test Data (25C)

Please note that test curves will vary slightly from unit to unit.

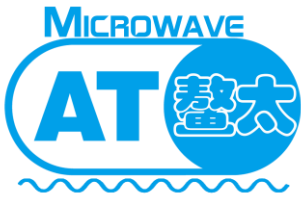


Pout vs Frequency, Pin=+3dBm



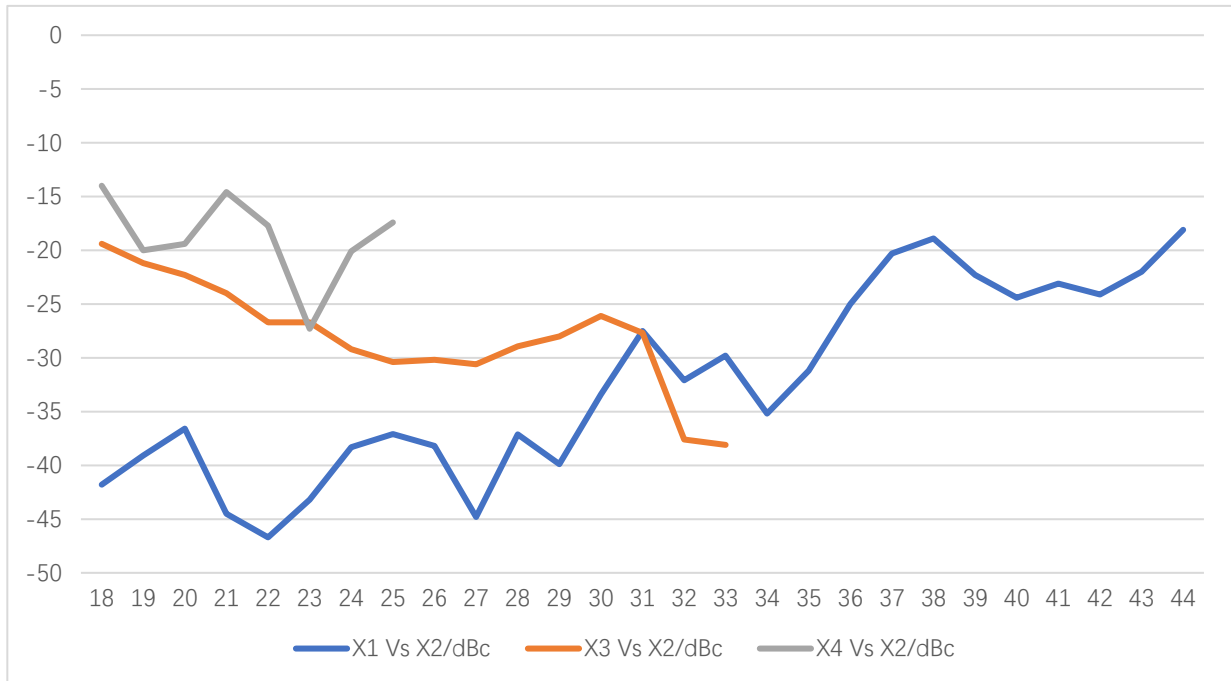
Pout vs Pin at 18/31/44GHz





AT-AM2-1844-18XC

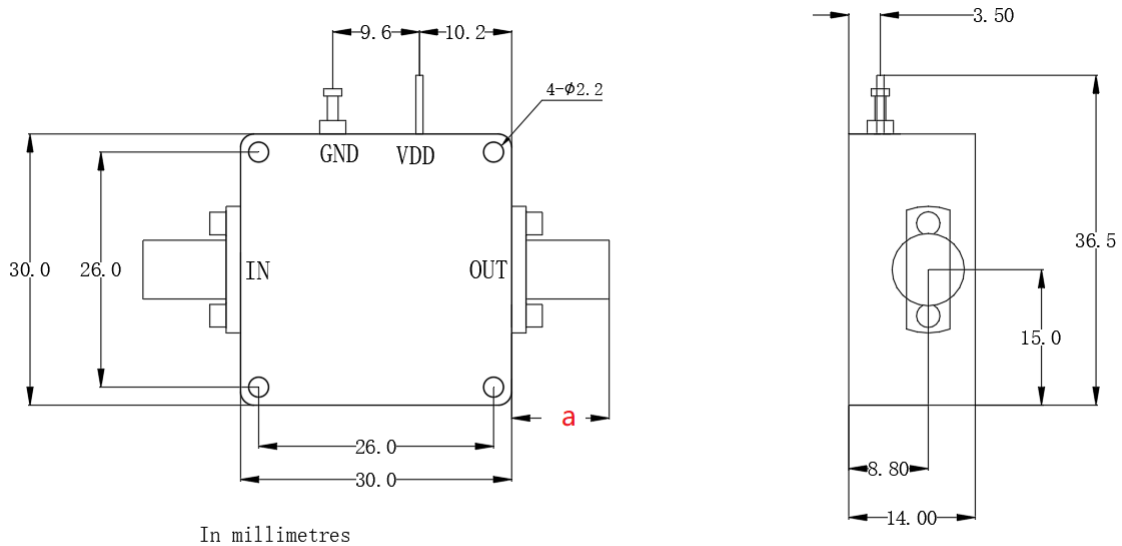
Active Multiplier x2, 18-44Hz Pout=+18dBm



Harmonics vs X2 Pout



Dimension(mm)



	<26.5GHz	<40GHz	<50GHz	<67GHz
Connector	SMA	2.92mm	2.4mm	1.85mm
Lenth of a	9.4mm	9.5mm	10.8mm	11.3mm

Heat Sink Required If Case Temp Higher Than 50C

